

# ORWAK FLEX 4240

Compact general waste in 240 L bins in our waste compactor FLEX 4240! It is a robust and reliable machine with a compact and lightweight design. Thanks to the small footprint, it takes up little floor space. The 4240 is easy, safe and convenient to use! The multiple-chamber unit offers a top-loading setup, while the single-chamber version is based on the principle "Roll in! Compact! Roll out!".



SAFETY

## ORWAK BENEFITS



### MORE PRODUCTIVE USE OF TIME

Less time spent on waste handling, more time for your core activities!

### MORE SPACE & ORDER

Our balers rapidly minimize the space the waste takes up, keeping aisles free and tidy.

### LESS COSTS, MORE VALUE

More compaction = less waste volume to transport. Fewer transports required results in lower transportation costs and reduced CO<sub>2</sub> emissions. Sorting at source yields a higher quality of waste material for recycling.

## WHY ORWAK FLEX?

- Versatile compaction for many different application areas
- Hygienic and safe compaction and disposal of mixed or hazardous waste
- Special solutions for special needs

 **ORWAK**  
PART OF **Julo** GROUP

# ORWAK FLEX 4240

## Smart in-bin compaction solution

ORWAK FLEX 4240 is an in-bin waste compactor for standard two-wheeled 240 L bins.

### IDEAL FOR GENERAL WASTE

The 4240 is perfect for the hotel and restaurant sector, where general waste needs to be disposed of in waste bins. The in-bin compactor provides impressive volume reduction, contributing to valuable space-saving and a more profitable waste management.

### SAFE AND USER-FRIENDLY

Model 4240 is user-friendly! The multi-chamber version is a convenient top-loading installation, while the single-chamber version has an easy wheel-in, wheel-out operation.

Safety and quality are our hallmarks and the compactor provides maximum personal safety both for the operator and those in the immediate vicinity. A bin indicator assures that the machine can only start, when the bin is in the right position.



Designed to fit the standard 240 Liter bins in the market.

- User-friendly
- Safety switches on the hatch and the front door/apron

## ORWAK FLEX 4240 IS OPTIMIZED FOR:

### SEMI-DRY WASTE

- General waste

Best suited for dry or semi-dry waste destined for landfill or incineration

### SMART DESIGN

The 4240 is a robust and stable machine that, thanks to its compact design, occupies little floor space. A good finish and easy access make cleaning quick and simple.

### EASILY EXTENDABLE

The compactor is easily extended with additional chambers. The front door on the single-chamber unit is then replaced by an apron for effortless movement of the press head from one chamber to the next.



The single-chamber unit with swing door



The multiple-chamber unit equipped with an apron with two handles

## DIMENSIONS & SPECIFICATIONS

### DIMENSIONS

A	B	C	D	TRANSPORT HEIGHT
Single: 2275 mm	Single: 750 mm	Single: 920 mm	Single: 1515 mm	Single: 2100 mm
Double: 2275 mm	Double: 1475 mm	Double: 990 mm		Double: 2100 mm

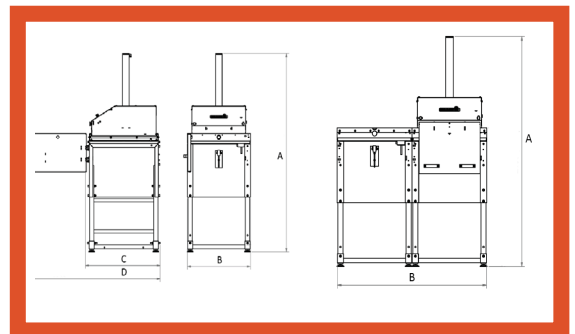
### MACHINE WEIGHT

TOTAL WEIGHT	PRESS UNIT	SINGLE STAND
Single: 220 kg	Single: 120 kg	Single: 100 kg
Double: 320 kg		

### TECHNICAL SPECIFICATIONS

BIN SIZE	CYCLE TIME	PRESS FORCE	NOISE LEVEL	PROTECTION CLASS	OPERATING POWER
240 L	29 secs	1.5 ton, 15 kN	62.3 db (A)	IP 55	Single Phase 230 V, 50 Hz, 10 A

We reserve the right to make changes to specifications without prior notice. Bale/bag/bin weights are dependent upon material type.



### ORWAK AB

Svetsaregatan 4  
S-576 33 Sävsjö  
SWEDEN  
Tel: +46-(0)382-15700  
info@orwak.com

[ORWAK.COM](http://ORWAK.COM)

**ORWAK**  
PART OF fulo GROUP